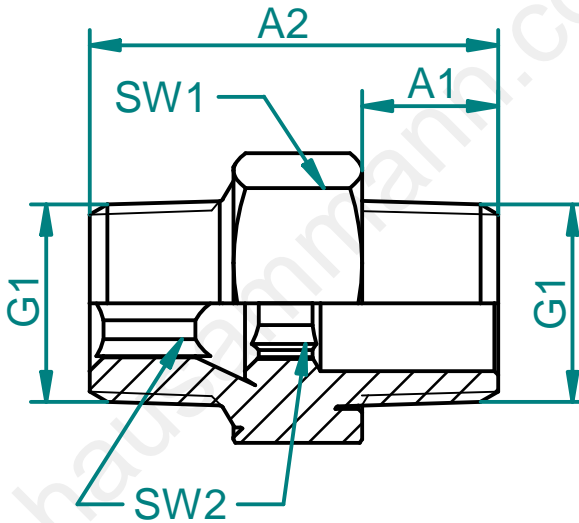




General tolerances ISO 2768-m						Index	Date	Visum	Modification	Index	Date	Visum	Modification
Basic-size	...6	> 6 ...30	> 30 ...120	>120 ...400	> 400 ...1000								
medium	±0.1	±0.2	±0.3	±0.5	±0.8								



Specifications points D,K,H	
D= doc.points	
K= critical	
H= main	

Accord-draw.no.: Origin-draw.no.: Replacement for:	Material: Messing				
	Scale 1:1				
	 Date plotted 18.04.11		Visum E.Z		Phone
	checked		Format A4		Index 00
 HAUSAMMANN KOMONENTEN PRODUKTION SYSTEME		38.564		Solid Edge	
<small>© 2010, Für dieses Dokument behalten wir uns alle Rechte vor. © 2010, Nous nous reservons tous les droits sur ce document © 2010, We reserve all rights in connection with this document</small>					